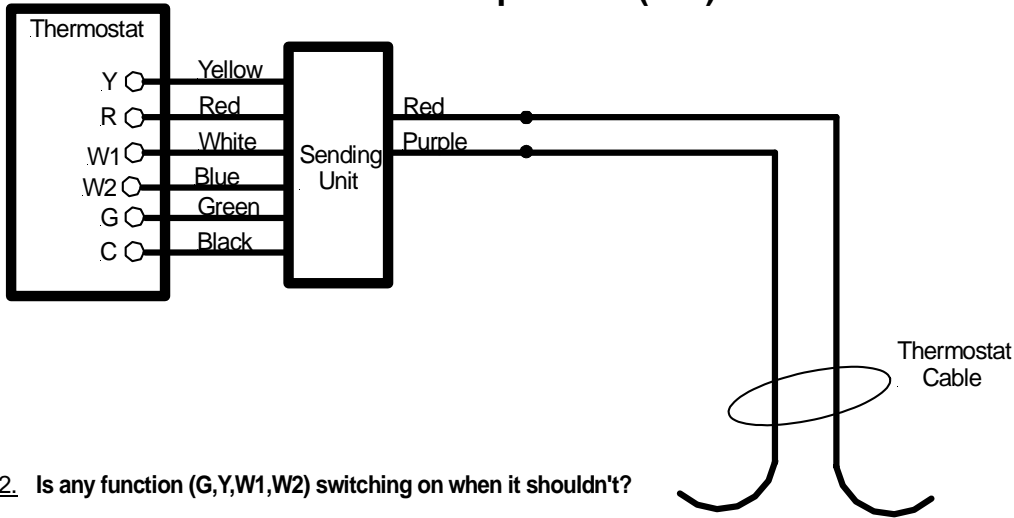


FAST-STAT Trouble Shooting Instructions

Model 5000 Steps 1 to 2 (of 4)



Step 2. Is any function (G,Y,W1,W2) switching on when it shouldn't?

Disconnect the wires from the thermostat cable. Switch on the control circuit. The fan (green), A/C (yellow) and heat (white & blue) should remain off. If any starts then the Receiver has to be replaced. If OK go to step 3.

Step 1. Is the Receiver getting power?

Switch on control circuit and measure voltage at R & C. There should be 20 to 28 volts ac at the Receiver's black & red wires. If OK go to step 2.

